

MIZU 78-2-L

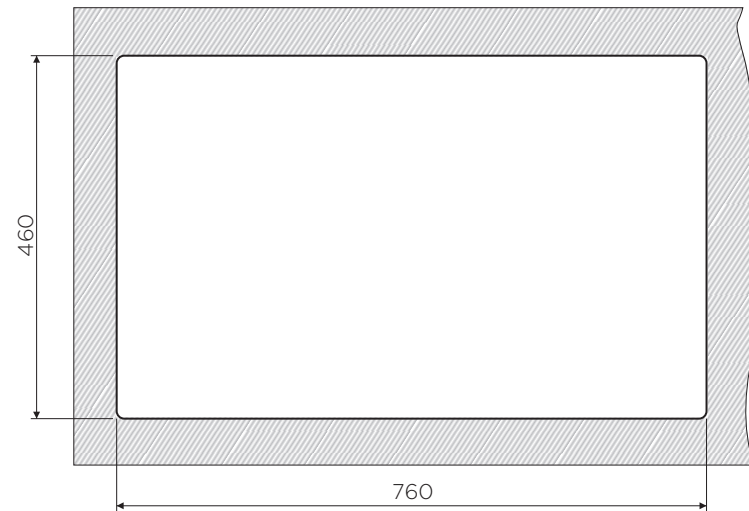
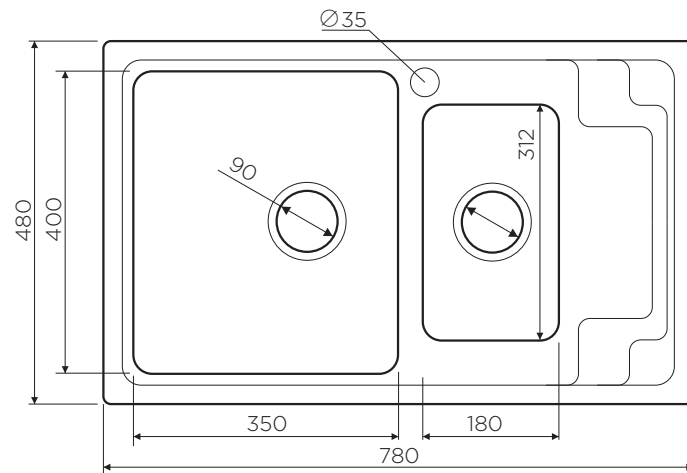
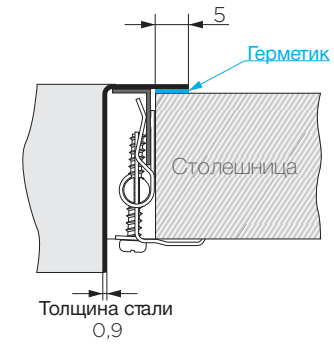
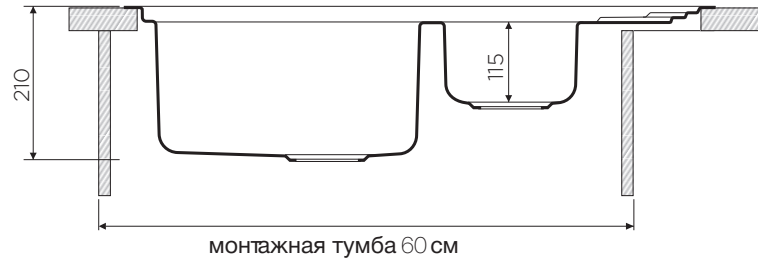
MIZU 78-2-L 4973012

Stainless steel 304

Base 60

Weight (kilogram) 7,2

Врезной монтаж



MIZU 78-2-L

MIZU 78-2-L 4973012

Stainless steel 304

Base 60

Weight (kilogram) 7,2